



DecoderPanel

User's manual



5 998975 300711



© 2010 BioDigit Ltd.

All rights reserved. Multiplication of the document or publication of its content in any form (including electronic and mechanical implementation) is prohibited without the written approval of BioDigit Ltd.



Safety precautions

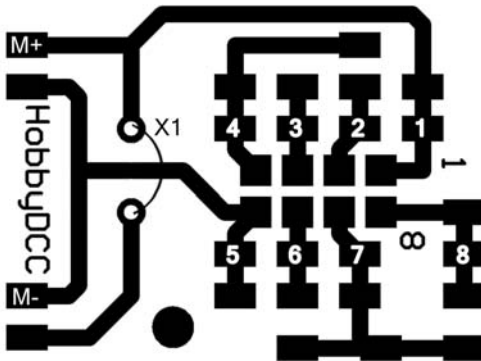
You must always observe the technical specifications indicated in the specifications when using the device. Please always take care of the environment when putting the device into operation and protect the device from moisture and direct sunshine.

You may need a soldering iron during installation or putting the device into operation. Please be careful when executing these operations.

Technical specifications of the device:

Dimensions: 30 × 22 mm

Wiring



M+ / M- and 1 / 5: Motor red and black (blue) output. Polarity may be changable by inserting X1.

- 2:** Yellow, Back light
- 3:** Green, function F1
- 4:** Black, left-hand side rail
- 6:** White, Front light
- 7:** Blue, Common + Supply (function and light are common)
- 8:** Red, right-hand side rail

Please do not forget to apply insulation if there is no space for the pins under the panel. The possibly required resistors (for LEDs) may be installed to this module also.